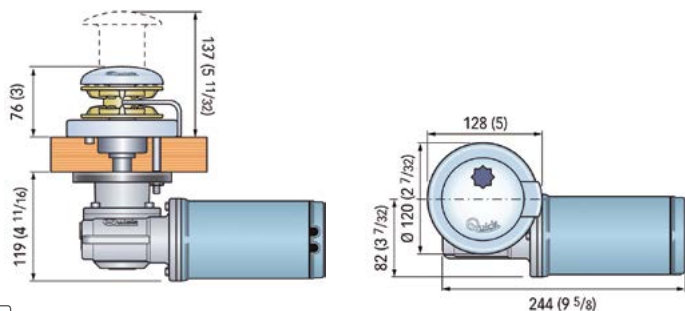


### Rider

Vertical windlasses anodized aluminium base, with and without drum. Manual Free-Fall system. IP67 watertight motor and anodized aluminium gearbox. **Complete with control box and handle.**

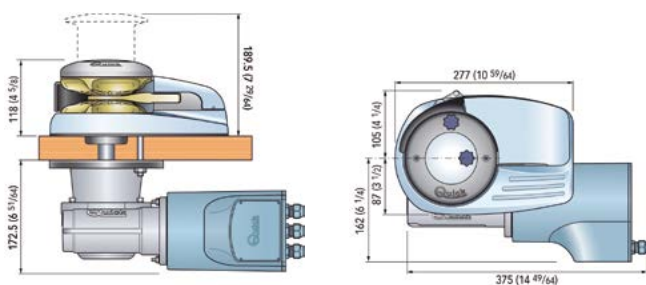


Article	Drum	Deck thickness mm.	Watt	Volt	Max pull kg.	Ø Chain mm.	Max chain speed mt/min.	Weight Kg.
0307050	NO	20÷30	500	12	660	6	25,2	7,4
0307051	YES							8,5

### Dylan

Vertical windlasses AISI 316 Stainless steel base, with and without drum. Rope and chain on a single gypsy, manual Free-Fall and emergency manual lift system. Supplied with pressure lever and inspection lid, IP67 watertight motor and anodized aluminium gearbox.

**Complete with control box and handle.**

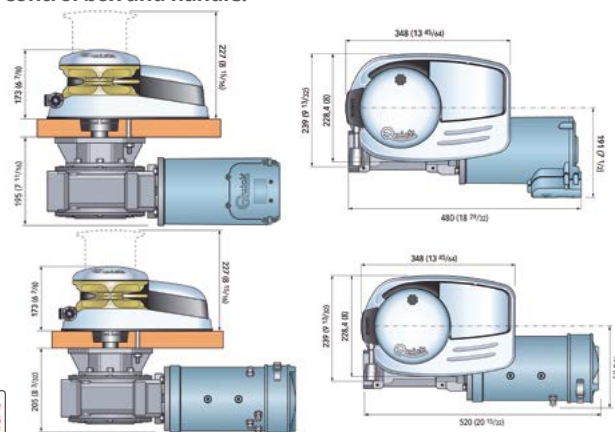


Article	Drum	Deck thickness mm.	Watt	Volt	Max t pull kg.	Ø Chian mm.	Ø Rope mm.	Max chain speed mt/min.	W. Kg.
0307115	NO	30÷70	1700	12	1100	12	19	33,5	26,2
0307117	NO			24	1200			39	26,4
0307119	YES			12	1100			33,5	28,2
0307121	YES			24	1200			39	28,8

### Dave

Vertical windlasses AISI 316 Stainless steel base, with and without drum. Rope and chain on a single gypsy, manual Free-Fall and emergency manual lift with chain-stopper system (optional). Supplied with pressure lever and inspection lid, IP67 watertight motor and anodized aluminium gearbox.

**Complete with control box and handle.**



Article	Drum	Boat mt.	Deck thickness mm.	Watt	Volt	Max pull kg.	Ø Chain mm.	Ø Rope mm.	Max chain speed mt/min.	Weight Kg.		
0307187	no	16-20	40÷80	2300	24	2400	10	19	41,2	51		
0307188							12				54,4	
0307190	yes	20-24				3000	3100			10		39,2
0307191										12	64,7	
0307199	no	20-24	3000	3100	10	39,2	61,3					
0307200	yes				12			64,7				
0307203	yes	20-24	3000	3100	12	39,2	64,7					